



Midra
Trustable always



**THIẾT BỊ KHÍ NÉN
TIẾT KIỆM ĐIỆN
AN TOÀN
SỐ 1 THẾ GIỚI**



**AN TOÀN
CỦA BẠN
LÀ
ƯU TIÊN
CỦA
CHÚNG TÔI!**

BỘ LỌC KHÍ NÉN CEJN

MADE IN SWEDEN SINCE 1955

**LOẠI BỎ 99,999%
TẠP CHẤT VÀ HẠT NHỎ**

DÒNG CHẢY LỚN GIẢM TỤT ÁP

TIẾT KIỆM NĂNG LƯỢNG

ỨNG DỤNG LINH HOẠT

**THIẾT KẾ NHỎ GỌN
TIẾT KIỆM KHÔNG GIAN**

DỄ DÀNG LẮP ĐẶT



**HIGHEST FLOW
ON THE MARKET**

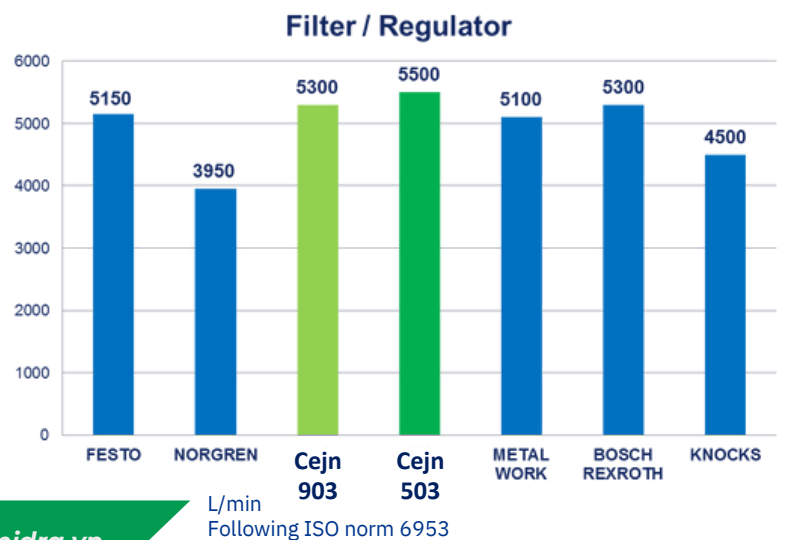
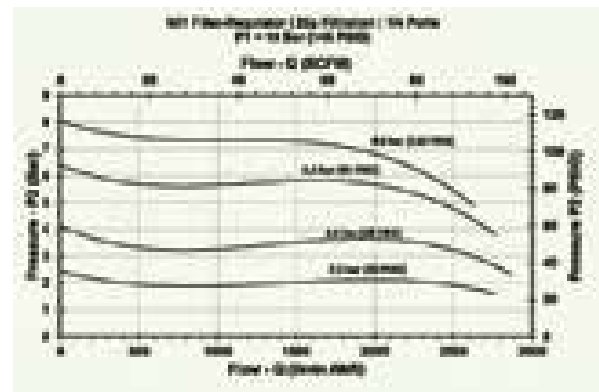




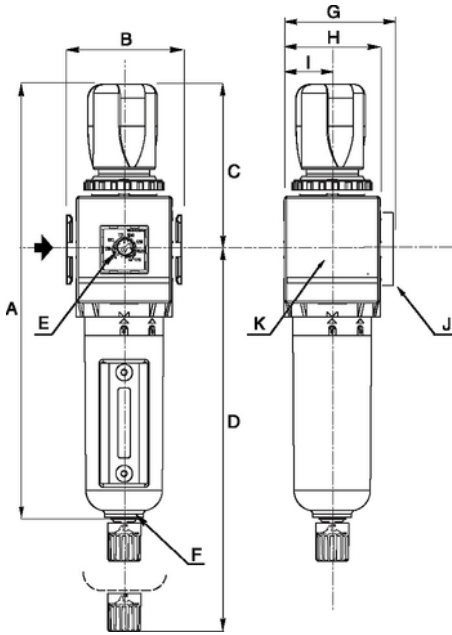
Midra
Trustable always



FILTER	IMAGE	Part No.	Connection	Filtration	Max Flow
Filter/Regulators Model 651		19 503 1401	G 1/8"	25 µm	730 l/min
		19 503 1402	G 1/4"	25 µm	2300 l/min
		19 503 1412	G 1/4"	5 µm	2200 l/min
Filter/Regulators Model 652		19 503 5404	G 3/8"	25 µm	5420 l/min
		19 503 5405	G 1/2"	25 µm	5500 l/min
		19 503 5414	G 3/8"	5 µm	4450 l/min
Filter/Regulators Model 653		19 503 5415	G 1/2"	5 µm	4490 l/min
		19 503 2407	G 3/4"	25 µm	9000 l/min
		19 503 2409	G 1"	25 µm	10000 l/min
FRL Systems Model 653 Filter/Regulator & Lubricator		19 503 2607	G 3/4"	25 µm	9000 l/min
Filter, Regulator & Lubricator		19 503 2627	G 3/4"	25 µm	4700 l/min
Shut-off valve (lockable) + Filter/Regulator + Lubricator		19 503 2767	G 3/4"	25 µm	9000 l/min

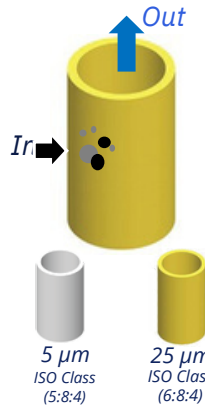


The Filters –Range & Filtration Technologies



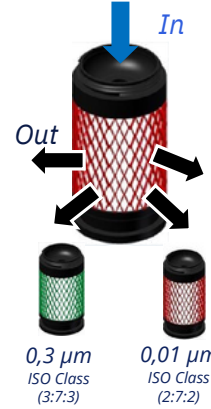
Particulate

Provides clean air for most industrial applications, packaging, machine tools, textile machines, conveyors,...



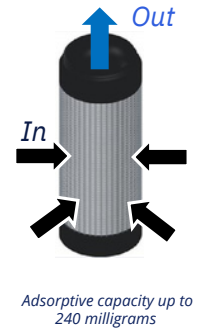
Coalescing

Air suitable for applications requiring high quality clean, dry air: paint spraying, cosmetics, food and beverage, optical, pharma & biotech,...



Active Carbon

Odor and oil vapor removal, placed close top the point of use: for breathing air equipment, instrumentation, ...



Size 652 Range Options Chart

	Filter	Filter/Regulator	Regulator	Lubricator	Shut Off Valve	Quick Exhaust & Soft Start	Diverter Block	Lockout Valve
Low Temperature -40°C	✓	✓	✓	✗	✗	✓	✓	✗
High Temperature +80°C	✓	✓	✓	✗	✗	✓	✓	✗
FPM Seals	✓	✓	✓	✗	✗	✓	✓	✗
Stainless Steel Fasteners	✓	✓	✓	✓	✓	✓	✗	✗
ATEX 1/21 -2/22	✓	✓	✓	✓	✓	✓	✓	✗
CUTR	✓	✓	✓	✓	✓	✓	✓	✗
Certification	✓	✓	✓	✓	✓	✓	✓	✗
Right to Left	✓	✓	✓	✓	✓	✓	✓	✗
NPT Threads	✓	✓	✓	✓	✓	✓	✓	✓
RC Threads	✓	✓	✓	✓	✓	✓	✓	✓



Competitor analysis Option chart availability*

		CEJN	FESTO	NORGREN	SMC	Parker	CAMOZZI
		652 Series	MS6	BL72	AR	P32	MX
Low Temp -40°C		✓	✗	✗	✗	Only Available on lockout valve	✗
High Temp +80°C		✓	✗	✗	✗	Only Available on lockout valve	✗
FPM Seals		✓	✗	✗	✗	✗	✗
Stainless Steel Fasteners		✓	✗	✗	✗	✗	✗
ATEX 1/21		✓	(Need to order subbase)	✗	✗	✗	✗
CUTR Certification		✓	✗	✗	✗	✗	✗
Right to Left		✓	✓	✗	✓	✗	✓
Standard Drain Type		Semi-Automatic +manual	Manual or Automatic	Not define	Automatic	Manual or Automatic	Semi-Automatic +manual
Flat Gauge		✓	✓	Only in 1/4" BL92	✓	Only in 1/4"	✓
NPT		✓	✗	✓	✓	✓	✗

